

## Displays with Serial Interface MT 2701, MT 2702 and MT 2703

### Highlights

- Serial Input RS 232, RS 485 or TTY
- Addressing
- LED Display 14 mm, 4 decades
- DIN Housing 72 x 36 mm
- Switchboard- or Mosaic System Mounting
- Isolated Power Supply
- Plug-In Screw Terminal
- Limit Value Output (Optocoupler)

### Comments

The instruments are available with several interfaces:

#### **MT 2701**

- RS 232 signal input

#### **MT 2702**

- RS 485 signal input

#### **MT 2703**

- TTY (Current-Loop, 20 mA) signal input

### Standard functions

#### **Addressing**

Several instruments can work on one interface. To this each instrument gets a own address.

If the displayed signs of the data string is not start at the first position, it is possible to programm how much preceded signs are to ignore.

#### **Signs**

- -, 0, 1, 2, 3, 4, 5, 6, 7, 8, 9, A, B, C, D, E, F
- Blank, decimal point
- "+" is shown as a blank

#### **Software functions**

- Programmable baud rate
- 3 selectable address signs
- To fade out max. 127 signs
- Display test
- Limiting value functions

#### **Digital input channels**

The instruments are provided with three digital input channels. The input channels are low active. The digital input channels are carried out following functions:

- Programming
- Display test



#### **Limiting value output (optocouple)**

The instruments are provided with a optocouple output for limiting value indication. Following functions can be programmed:

- Alarm point and hysteresis
- High or low alarm

#### **Power supply**

- 18 .. 36 V DC isolated
- optional 12 V DC isolated
- optional 5 V DC isolated

### Programming

The programming is easy and clearly arranged. By means of a programming menu the user is taken through this programming. The programming is carried out through the digital input channels.

### Options

#### **Housing**

- Switch board mounting DIN 43700
- Mosaic system mounting (Siemens 8RU)

#### **Colour of the front frame**

- Black

#### **Design of the front**

- Without front foil
- Front foil ERMA-METER
- Front foil NEUTRAL
- Unit overprint

#### **Display colour**

- Red
- Green

## Technical data

Display	: 4 decades, 14 mm, red (opt. green)
Signal input	
MT 2701	: RS 232
MT 2702	: RS 485
MT 2703	: TTY (Current-Loop, 20 mA)
Data form	: 1 start bit, 8 data bits, 2 stop bits
Baud rate	: 1200, 2400, 4800, 9600 prog.
Digital input channels	: 10 kΩ to +5V
Low level	: < 0,4 V
High level	: > 3,5 V, max. 30 V
Limit value output	: optocoupler
	: max. 10 mA, 70 V, max. 150 mW
Power supply DC	: 18 V to 36 V DC, isolated
optional	: 12 V DC, ± 10 %, isolated
optional	: 5 V DC, ± 10 %, isolated
Power consumption	: approx. 65 mA (red)
(18 .. 36 V DC)	: approx. 75 mA (green)
Housing	: switch board mounting DIN 43700
Dimensions	: 72 x 36 x 63,5 mm
Depth	: < 72 mm incl. screw terminal
Protection	: front IP 40
EMV	: in conform with 89/336/EWG
Operating temperature	: 0 .. 50 °C

## Ordering information

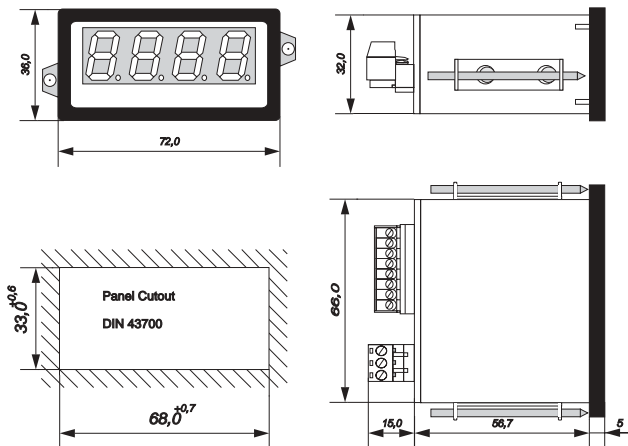
<b>MT 270x -</b>	
	<b>Housing</b>
	0 Switch board mount
	1 Panel clip
	<b>Front frame colour</b>
	0 Black
	<b>Front design</b>
	0 Without front foil
	1 Front foil ERMA-METER
	2 Front foil NEUTRAL
	<b>Display colour</b>
	0 Red
	1 Green
	<b>Power supply</b>
	0 5 V DC, ± 10%, isolated
	1 12 V DC, ± 10 %, isolated
	2 18 .. 36 V DC, isolated

## Unit overprint

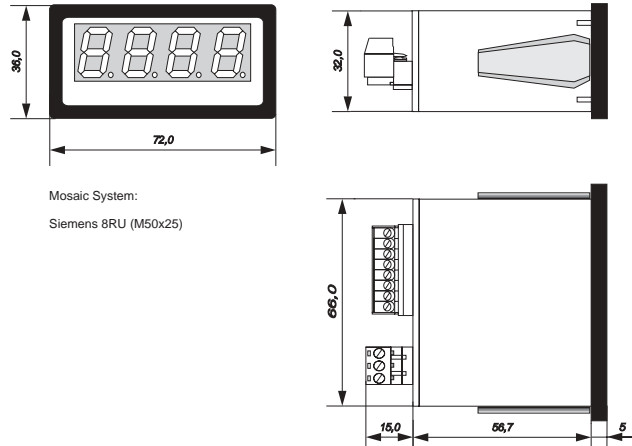
Please specify in clear text at order !

## Dimensions

### Switch board mounting



### Panel clip



Mosaic System:  
Siemens 8RU (M50x25)