

**Isolated  
RS422/485 Interface-Board  
RS 1295**

**Highlights**

- Up To 4 Isolated RS422/485 Interfaces
- 16C550 UARTS
- Standard, Baudrate 115,2 kBaud  
Optional, Up To 345 kBaud
- Meets EMV-Specifications

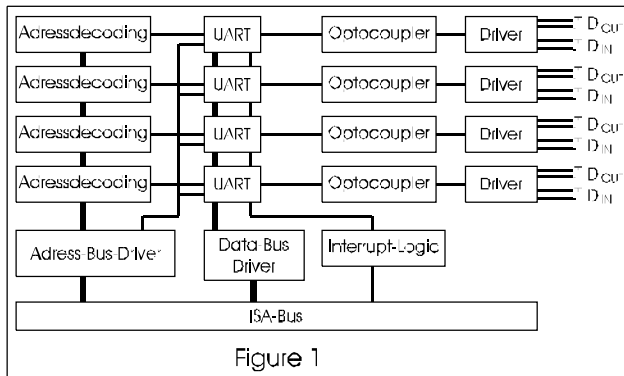
**General**

The RS 1295 is an interface card for PC's with ISA-Bus slots. The board was designed for easy communication of SPS's to PC. The board provide up to 4 RS422/485-interfaces. Main feature of this board is the channel-to-channel and channel-to-system isolation, eliminating damage from ground loop, increasing system reliability in harsh environment.

lator frequency is 1,8432 MHz to generate the standard baudrate of 115200 baud.

**Software**

A disk is included with programming examples for Basic, Turbo Pascal, C, Visual Basic, 16 bit DLL for Windows 3.1x and 32 bit DLL for Windows 95.



The block diagram of the board RS 1295 is shown in figure 1.

**Addressing**

The BASE address is switch selectable and can be located at the whole IO-addresspace. This is an advantage if the standard addresses COM 1 to COM 4 are already used. The interruptsource is jumper selectable and can be located IRQ 3, 4, 10, 11, 12, 14 or 15 separate for each channel.

**Modes**

The card has up to four 16C550 UART with on chip 16 byte FIFO buffers. The UART buffers data into 16 byte packets before putting it on the bus. This drastically reduces CPU load and avoids data loss when the system is busy and cannot process interrupt quickly. To generate the baudrate there are 3 oscillators. The oscillator frequency is jumper selectable separate for each interface channel. The standard oscil-

**Technical Data**

Interface	: 4 x RS422/485 Isolated
Baudrate	: Standard 115 kBaud optional max. 345 kBaud
Interrupt	: IRQ3, 4, 10, 11, 12, 14, 15
Supply Voltage	: +5 V, max. 0,5 A
Connector	: DB25-male
EMV	: EMV-conform with 89/336/EWG
Operating Temperature	: 0 - 50 °C
Storage Temperature	: - 25 to +85 °C
Dimensions	: 201 x 100 mm

**Ordering Information**

RS 1295/XXXX

- Configuration Of Interface 4
- Configuration Of Interface 3
- Configuration Of Interface 2
- Configuration Of Interface 1
- Interface 1 To 4:
- 0 =Without Interface
- 1 =UART 16C550