

## ■ Programmable Meter for Temperatures Model TM 2500

### Highlights

- THERMOCOUPLE
- RTD
- VOLTAGES
- DIN HOUSING 48 x 24 mm
- ISOLATED POWER SUPPLY
- PLUG\_IN SCREW TERMINALS

### Standard functions

#### Modes

- Thermocouple Type K, J, S, L, and R
- RTD (2-wire/3-wire modes)
- Voltages 0 - 200 mV and 0 - 2 V

#### Software functions

- Scaling for voltage input channels
- Digital filtering
- Max value detection
- Programmable decimal point
- Last digit steps: 1, 2, 5 or 10
- Display test

#### Digital input channels

The instrument is provided with 3 digital input channels at the rear. These digital input channels are low active. With the aid of the digital inputs are carried out following functions:

- Programming
- Display test
- Reset of max. value

#### Power supply

The TM 2500 is provided for DC supply voltages. Using DC/DC converters the power supply is isolated from internal electronic and from all input channels. The TM 2500 can be delivered supplied with the following supply voltages:

- 18 .. 36 V DC isolated
- optional 12 V DC isolated
- optional 5 V DC isolated

#### Construction

The meter TM 2500 has a 4 digit resolution. Digits are 8 mm in height. The meter is presented in standard 1/32 DIN format with short depth (68.2 mm). The meter fit a 45mm x 22.2mm standard 1/32 DIN cut-out.



**We have special conditions for this device!  
Availability and prices only on demand.**

The front of the instrument is drip proof and is dust tight.

The meter comes complete with brackets and plug in screw terminal connectors.

### Programming

The meter is user programmable via external push buttons connected to the screw terminal at the rear. The programming is easy and clearly arranged. By means of a programming menu the user is taken through this programming. The programming is carried out through the digital input channels.

### Options

#### Housing type

- Panel mounting DIN 43700
- Mosaic system mounting (Subklev, Siemens 8RU)

#### Colour of the front frame

- Black
- Grey coloured RAL 7037
- Grey coloured RAL 7032
- Grey coloured RAL 7035

#### Design of the front

- Without front foil
- Front foil ALU
- Front foil RAL 7032
- Front foil RAL 7035
- Unit label

#### Display colour

- Red
- Green

**Technical data**

Display : 4 decades, 8 mm, red  
(opt. green)  
Display range : -999 .. 9999  
Display Rate : 5 /s

Measuring ranges:  
Thermocouple  
Ni-CrNi (K) : -100 to +1370 °C  
Accuracy : ± 1°C, ± 1 Digit (>200°C)  
Fe-CuNi (J) : -100 to 1000°C  
Accuracy : ± 1°C, ± 1 Digit  
PtRh90/10%-Pt (S) : 0 to 1750°C  
Accuracy : ± 1°C, ± 1 Digit (>250°C)  
Fe-CuNi (L) : -100 to +900°C  
Accuracy : ± 1°C, ± 1 Digit  
PtRh87/13%-Pt (R) : 0 to 1590°C  
Accuracy : ± 1°C, ± 1 Digit (>200°C)  
Ice Point Compensation : internal 0 to 50°C  
Accuracy : ± 1°C

RTD  
Modes : 2-wire / 3-wire  
Resolution : 0.1°C or 1 °C  
Accuracy : ± 1°C

Voltages  
Range 1 : 0 to 200 mV, ± 0.1%, ± 1 Digit  
Range 2 : 0 to 2 V, ± 0.01%, ± 1 Digit

Digital input channels:  
Low level : < 0,4 V  
High level : > 3,5 V, max. 30 V

Input resistance:  
Input 1-4 : 10 kΩ to +5V  
Input 5 : 10 kΩ to GND

Power supply DC : 18 V to 36 V DC, isolated  
optional : 12 V DC, ± 10 %, isolated  
optional : 5 V DC, ± 10 %, isolated

Power consumption : approx. 25 mA (red), 24 VDC  
: approx. 40 mA (green), 24VDC

Housing : panel mounting DIN 43700  
Dimensions : 48 x 24 x 60 mm  
Depth : < 70 mm incl. screw terminal  
Protection : front IP 40  
EMV : EMV-conform with 89/336/EWG  
Operating temperature : 0 .. 50 °C

**Ordering information**

<b>TM 2500 -</b>	
	<b>Housing</b>
	0 Panel mounting
	1 Panel clip
	<b>Front frame colour</b>
	0 Black
	1 Grey coloured RAL 7037
	2 Grey coloured RAL 7032
	3 Grey coloured RAL 7035
	<b>Front design</b>
	0 Without front foil
	1 Front foil ALU eloxiert
	2 Front foil RAL 7032
	3 Front foil RAL 7035
	<b>Display colour</b>
	0 Red
	1 Green
	<b>Power supply</b>
	0 5 V DC, ± 10%, isolated
	1 12 V DC, ± 10 %, isolated
	2 18 .. 36 V DC, isolated

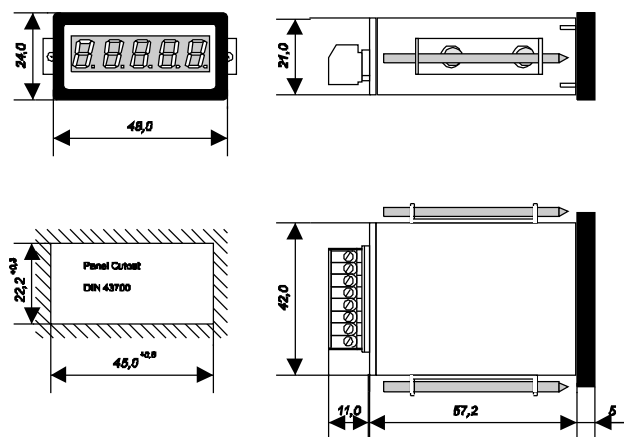
**Unit label**

Please specify in clear text at order !

**We have special conditions for this device!**  
**Availability and prices only on demand.**

**Dimensions**

**Panel Mounting**



**Panel Clip**

