

Solid State Relay Board RL 1335

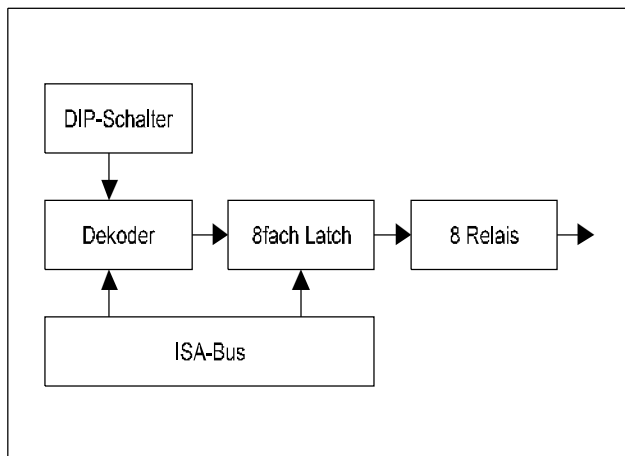
Highlights

- 8 Solid State Relay-Outputs
- Channel-To-Channel Isolation

General

The RL 1335 is a isolated digital output board with 8 Solid state relays. On the board there are varistors to protect the outputs of damage caused by high voltages.

The board was designed to plug in a ISA-Bus slot of PC's.



The block diagram of the board IO 1335 is shown in figure 1.

Addressing

The BASE address is switch selectable and can be located to the whole IO-addressspace. The board uses one IO-address. This allows installing multiple boards in the same host at the same time.

Software

A disk is included with programming examples for Basic, Turbo Pascal, C, Visual Basic, 16 bit DLL for Windows 3.1x and 32 bit DLL for Windows 95.

Ordering Information

Technical Data	
Outputs	: 8 x Solid state relays
Switching Voltage	: max. 30 V AC/DC
Schaltstrom	
RL 1335/1	: max. 100 mA
RL 1335/2	: max. 500 mA
Supply Voltage	: + 5 V, max. 0,2 A
Connector	: DB25-male
EMV	: EMV-conform with 89/336/EWG
Operating Temperature	: 0 - 50 °C
Storage Temperature	: - 25 to + 85 °C
Dimmensions	: 104 x 79 mm

RL 1335/1 = 100 mA output current
RL 1335/2 = 500 mA output current

Accessories

- RL 1337
Relaymodul to increase the output power
230 VAC / 6 A / 1500 VA
- SKB 25B
connection board
- Cable MKS -1.5 (1.5 m)
- Cable MKS-3 (3 m)
- Cable MKS-5 (5 m)