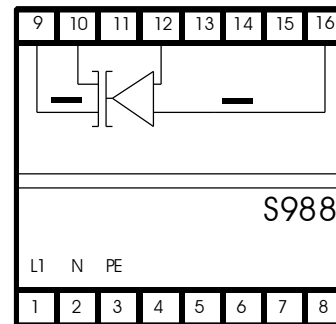


■ **Signal Conditioner Typ S 988**

Highlights

- Isolated Signal Conditioner
- Customer Defined Voltage or Current Ranges
- Standard Outputs
- ± 0.1% Typical Accuracy
- Short Response Time
- 1000 V rms of CMV Isolation
- Low Power Consumption
- Standard Power Supply 230 or 115 VAC
- Power Supply Optional 24 V



General

The signal conditioner S 988 is a rail mount DC voltage input module. Standard input voltage ranges from 30 mV up to 300 V .

For complete safety, an internal isolation amplifier is used. Avoiding digital conversions a fast frequency response is achieved. The input to output isolation provides high output signal-to-noise ratio which makes these signal conditioners highly immune to ground loop signals and RFI.

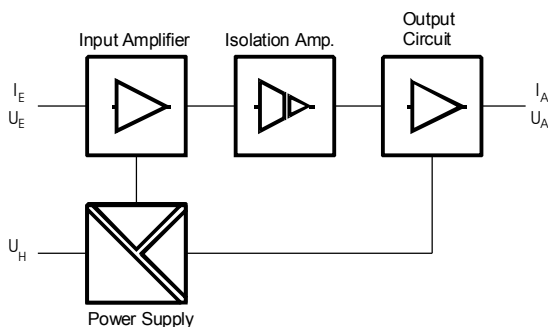
The output is linear to the input and can be delivered either with 0-10 V, 0-20 mA, or 4-20 mA.

Construction

- Compact plastic housing, rugged design for harsh locations.
- 16 screw terminals safe to come in contact with according to VDE 0100 part 750 and VGB 4.
- DIN rail mounting according to DIN 46 277 and DIN EN 50 022.

Electrical Design

The blockdiagramm is shown in figure 1. The input voltage is amplified by the amplifier A1. The output of the amplifier A1 is connected to the isolation amplifier. The output signal of the isolation amplifier is controlling the output circuit.



Power Supply

- Supply voltage 230 VAC or 115 VAC
- Optional 24 VDC

Specifications

Input Channel	: Voltage or current
Voltage	: 0...30 mV to 0...300 V
Impedance	: >100k to 10 MΩ
Current	: 0...1 mA to 0...100 mA
Voltage drop	: max. 150 mV
Transfer	:
Accuracy	: typ. 0,1% v. E.
Isolation voltage	: 1 kV
CMR	: 130 dB from 0 to 60 Hz
Output channel	:
Voltage	: 0 ... 10 V / 10 mA
Current	: 0/4...20 mA / max. 500Ω
Supply voltage	: 230 VAC or 115 VAC (4,2 VA)
Optional	: 18 V...36 V DC
Current consumption	: max 50 mA
environmental conditions	
EMV	: accord. ENV 50121-3-2
Protection	: IP40
Screw terminals	: IP 20
Mounting	: EN 50022
Operating temperature	: 5 bis +50 °C
Dimensions	: 75 x 55 x 110 mm
Weight	: 100 g

