

■ Programmable digital panelmeter UM 2550 and UM 2510

Highlights

- LED Display 8 mm
- DIN Housing 48 x 24 mm
- Switchboard- or Mosaic System Mounting
- Isolated Power Supply
- Plug-In Srew Terminals

Versions

UM 2550

- Voltage measuring 0 - 10 V
- Current measuring 0 - 20 mA resp. 4 - 20 mA
- Display range -999 .. 9999
- Accuracy 0,1% ±1 digit
- Resolution max. 4000 digits

UM 2510 * (see text below)

- Voltage measuring 0 - 10 V
- Current measuring 0 - 20 mA resp. 4 - 20 mA
- Display range -9999 .. 99999
- Accuracy 0,01% ±1 digit
- Resolution max. 24 Bits

Software functions

- Scaling factor
- Averaging (Adjustable digital filter)
- MAX storage function
- Userdefined linearization up to 9 points
- Programmable decimal point
- Rounding the least digit in 1, 2, 5 or 10 steps
- Display test

Digital input channels

The instruments are provided with three digital input channels. The digital input channels are low active. The digital inputs are carried out following functions:

- Programming
- Display test
- Reset of MAX storage

Power supply

- 18 .. 36 V DC isolated
- optional 12 V DC isolated
- optional 5 V DC isolated

Programming

The programming is easy and clearly arranged. By means of a programming menu the user is taken through this programming. The programming is carried out through the digital input channels.

Figure shows UM 2510.
UM 2550 has 4 decades



Options

Housing type

- Switch board mounting DIN 43700
- Mosaic system mounting (Subklev, Siemens 8RU)

Colour of the front frame

- Black
- Grey tone RAL 7037

Design of the front

- Without front foil
- Front foil ERMA-Meter
- Front foil neutral
- Printed label with the unit (e.g. [V])

Display colour

- Red
- Green

* The **UM 2510** is no longer a standard product. Please contact for price, delivery time and minimum lot size

Technical data

Measuring ranges	0 .. 10 V
Voltage	> 1 MΩ
Input impedance	0(4) .. 20 mA
Current	ca. 0,2 V
voltage drop	5 Measurements/sec
Measuring rate	10 kΩ to +5V
Digital inputs	< 0,4 V
Signal level low	> 3,5 V, max. 30 V
Signal level high	18 V .. 36 V DC
Power supply DC	500 V / 1 min
Isolated voltage	12 V DC, ± 10 %, isolated
optional	5 V DC, ± 10 %, isolated
optional	ca. 30 mA (18 .. 36 V DC)
Power consumption	8 mm, red (opt. green)
Mechanical data	Decimal point programmable
Display	supressing of leading zeros
	- sign with negative values
Housing	
Dimensions(B x H x T)	48 x 24 x 60 mm
Depth	70 mm screw term. incl.
	Montageart
Mounting	Switchboard mounting
	or panel clip
Weight	ca. 200 g
Connectors	Screw terminals
Environment condition	
Operation temperature	0 .. 50 °C
Storage temperature	-20 .. 70 °C
Relative humidity	< 80 %, not condensing
Protection class	Protection class II
Protection	Front IP 40
CE	conform w. 89/336/EWG
	NSR 73/23/EWG

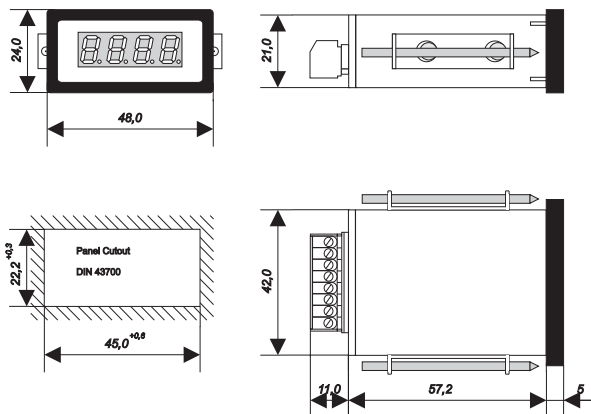
Order Key

UM 25x0 -	
	Housing
0	Switch board
1	Panel clip
	Front frame colour
0	Black
1	Grey tone RAL 7037
	Front design
0	No front foil
1	Front foil ERMA-Meter
2	Front foil neutral
	Display colour
0	Red
1	Green
	Power supply
0	5 V DC, ± 10%, isolated
1	12 V DC, ± 10 %, isolated
2	18 .. 36 V DC, isolated

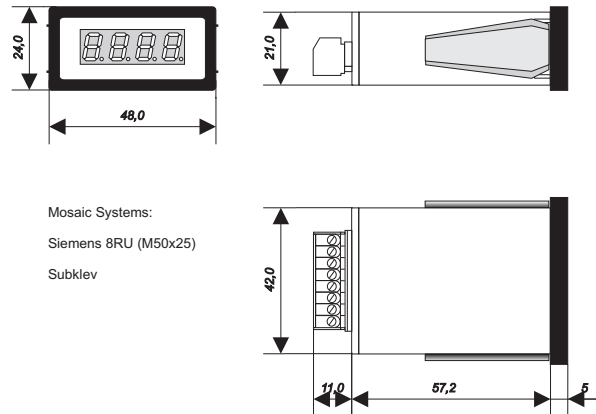
Printed label with the unit (e.g. [V])

Please specify in clear text at order !

Switch board mounting



Panel clip



Mosaic Systems:
Siemens 8RU (M50x25)
Subkleb